



# Ultrasonic Flow Meter Valve Assembly (UFMV-A)



## Applications

- Landscape & Turf
- Greenhouse, Nursery & Industrial
- Agriculture
- Golf

The Tucor Ultrasonic Flow Meter Master Valve Assembly (“UFMV-A”) is Tucor’s new family of advanced flow management products connecting today’s Smart Irrigation controllers with the industry’s most accurate flow meters (ultrasonic) and most reliable master valves for limited spaces . . . all without the 10-in-5-out pipe diameter rule! The UFMV Assembly’s compact design, superior low-flow leak detection, and connectivity options make it the perfect flow meter/master valve product for a variety of site requirements, including space limitations, measuring consumptive water use, monitoring drip irrigation, and more.

## Tucor’s UFMV-A provides

- Compatibility with the industry’s leading controllers
- Ready-to-install assembly, complete with quick-connect, Victaulic-style couplings
- Design that fits in jumbo valve boxes, with flow meter & master valve directly connected

### Flow Meter Features

- Unparalleled leak detection
- Measurement level as low as 0.22 GPM
- No moving parts
- +/- 2% accuracy across flow range

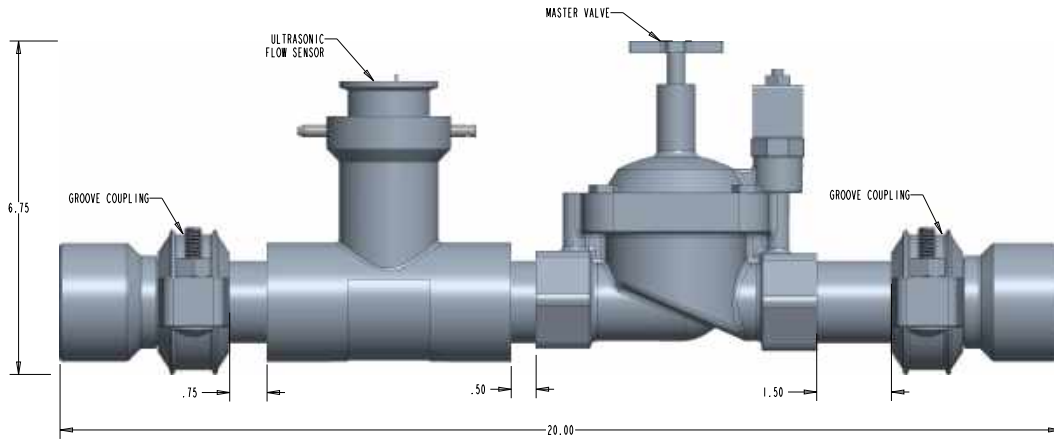
### Master Valve Features

- Available in N/C or N/O options and three different models plastic (glass-filled Nylon, N/C only), brass, brass no minimum flow (0.25-200GPM)
- Pressure regulation option





# Ultrasonic Flow Meter Valve Assembly (UFMV-A)



PERFORMANCE DATA		
PIPE SIZE	OPERATING RANGE (MIN.)	OPERATING RANGE (MAX.)
1 inch	0.22 GPM (0.83 L/min) 0.1 ft./sec	33 GPM (124.92 L/min) 15 ft./sec
1.5 inch	0.55 GPM (2.08 L/min) 0.1 ft./sec	82 GPM (310.41 L/min) 15 ft./sec
2 inch	0.92 GPM (0.48 L/min) 0.1 ft./sec	138 GPM (0.48 L/min) 0.1 ft./sec
3 inch	2.06 GPM (7.80 L/min) 0.1 ft./sec	309 GPM (1169.70 L/min) 15 ft./sec
4 inch	3.58 GPM (13.55 L/min) 0.1 ft./sec	537 GPM (2032.78 L/min) 15 ft./sec

MASTER VALVE MATRIX				
	N/O	N/C	NMF (No Minimum Flow)	DC LATCH
Plastic		✓		✓
Brass				
950				✓
3100	✓			
3200		✓	✓	✓
3300	✓		✓	✓

HOW TO ORDER							
Model		Line Size		Configuration		Master Valve	
UFMV Assembly ("UFMV-A")		1	1 inch	Straight-Line ("C1")		BN/C	Brass Normally-Closed Valve, 5 GPM Min Flow
		1.5	1.5 inches			BN/O	Brass Normally-Open Valve, 5 GPM Min Flow
		2	2 inches			BN/C-NMF	Brass Normally-Closed Valve, GPM Min Flow
		3	3 inches			BN/O-NMF	Brass Normally-Open Valve, GPM Min Flow
						PN/C	Plastic Normally-Closed, Low Flow (0.25 GPM)
<b>UFMV-A</b>	<b>-</b>	<b>4</b>	<b>-</b>	<b>C1</b>	<b>-</b>	<b>BN/C</b>	

