

TDI Two-Wire Decoder Interface



SPECIFICATION

BUSINESS FIELD

- LANDSCAPE & TURF
- GREENHOUSE, NURSERY & INDUSTRIAL
- AGRICULTURE
- GOLF



The Tucor TDI (Two Wired Decoder Interface)

-The Tucor TDI retrofits any conventional controller with 2-Wire control capabilities.

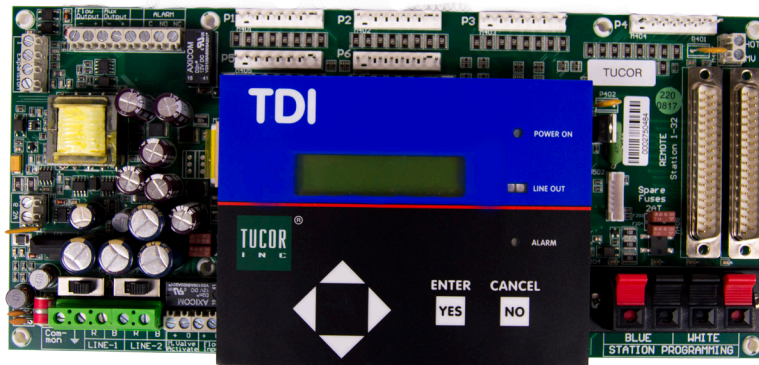
-The Tucor TDI allows you to take the central control platform that you currently use that doesn't provide the cost saving benefit of a 2-Wire control interface and add it via the Tucor TDI.

-The traditional outputs of any controller can be wired into the TDI and the TDI converts those traditional valve outputs onto a 2-Wire/Decoder path potentially saving you as much as 80% of what it would cost you to extend all of those dedicated wires out to each and every valve location. Much less wire, much less labor and much more savings! The host controller is completely unaware and unaffected by the fact that the valves are actually controlled by the TDI over a 2-Wire path.

TDI-F

Tucor's TDI-F enables the use of up to 2 sensor decoders on 2-wire path.

Convert your favorite controller to 2-wire!



Tucor TDI

TDI FEATURES

- 48 Station Capacity
- 10 Valves
- 1 Master Valve, with override capability
- 1 Flow Sensor direct wired

TDI-F FEATURES

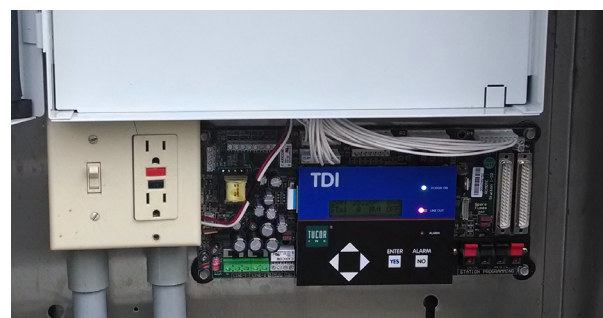
- 2 Flow Sensors on 2-wire path



Tucor, Inc.
330 Perry Highway
Harmony, PA 16037

TEL: 800-272-7472
FAX: 724-935-8233

tucormail@tucor.com
www.tucor.com



Tucor TDI Installed

TDI



Specifications:

FEATURES:

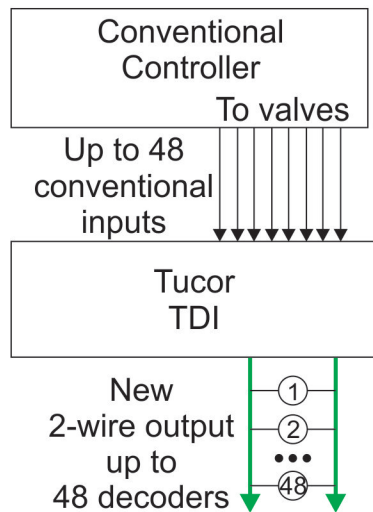
- 48 Station capacity
- Ten valves simultaneously
- One Master Valve, with override capability
- One Flow Sensor
- Distance to valve up to 6100' (with Tumor 16 AWG wire)
- 2-wire short-circuit protection
- RKLD-50 decoders, programmable at the TDI
- 50 Hz mode for testing 2-wire
- Alarm relay, dry contact
- Four decoder power-output ranges
- Backlit LCD display for system status, alarms, and 2-wire conditions

- Backlit LCD display for system status, alarms, and 2-wire conditions
- FloGuard for alarm and flow reactions
- Station testing
- USB port for firmware upgrades
- Optional HCP-100 handheld programmer for the RKLD decoders

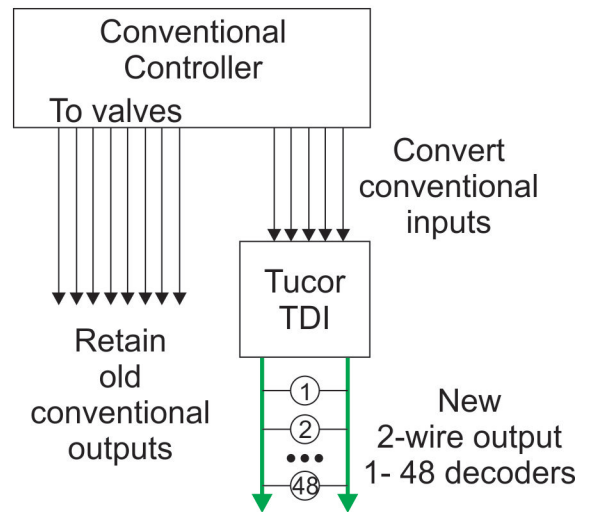
REQUIREMENTS:

- Input: 24 VAC 50 VA, from controller or Tumor TRA 50
- RKLD-050 decoders
- Approved Tumor wire for 2-wire path
- TDI has built-in surge protection; proper grounding needed, with SD-100's every 500' on the 2-wire path

Basic installation



Mixed installation



A more elegant application is when you have some conventional wires already going beneath a hardscape – parking lot, road, etc. – and you want to add valves beyond that. Rather than trying to pull new wires if you should have conduit, you can simply find two valve wires and use them as the output of the TDI's 2-wire. That is, if they are connected to existing valves, just disconnect them from the valves, remove the Common, add a decoder to each valve, and connect those two wires to the TDI as the 2-wire. You then connect more Tumor wire to the old wire to extend the 2 wire. This will allow you to add up to 48 more decoder/valves beyond the hardscape, as in the Mixed design above.

Contact Tumor:
Tel: 800-272-7472
tucormail@tumor.com

More information:
www.tumor.com

How to Order:

TDI (Two Wired Decoder Interface)	
Part Number	Product Description
TDI	TDI with cables up to 48 zones (compatible with RKLD-050)
TDI-F	TDI with cables up to 48 zones and (2) Flow Sensors
TDI-EXP	TDI expansion board for zones 49-96

