

Super Decoder



SPECIFICATION

BUSINESS FIELD

- LANDSCAPE & TURF
- GREENHOUSE, NURSERY & INDUSTRIAL
- AGRICULTURE
- GOLF



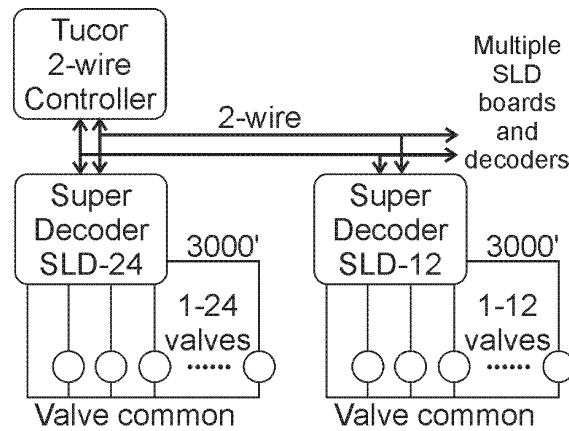
Tucor's Super Decoder for use with the TWI, AIC, or TWC-NV controllers, they connect to the Super Decoder's 2-wire inputs. You can string multiple Super Decoder boards together (long distances using the 2-wire), with access to up to 200 stations. Adding Sensor Decoders (SD-100) and RealNet, you can retrofit systems and gain extraordinary flexibility and power in controlling and monitoring your irrigation extra.

For Residential, Commercial, or Agricultural applications, Super Decoders are the affordable way to upgrade your irrigation. TUCOR'S Super Decoder is a simple way of installing multiple decoders in a convenient package.

It allows you to convert conventional wiring to a Flowmaster 2-wire system. This offers three benefits:

- Convert multiple controllers to just one 2 wire controller (up to 200 valves).
- Add more valves using standard decoders, miles away, using one simple 2 wire path.
- Improve your data-collection and remote control possibilities.

* CONVENTIONAL TO 2-WIRE*



SUPER DECODER FEATURES

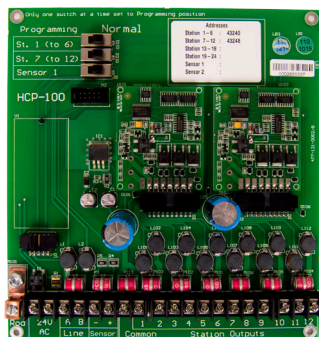
- 12/24 Outputs
- Mains Power OR
- 2-wire power



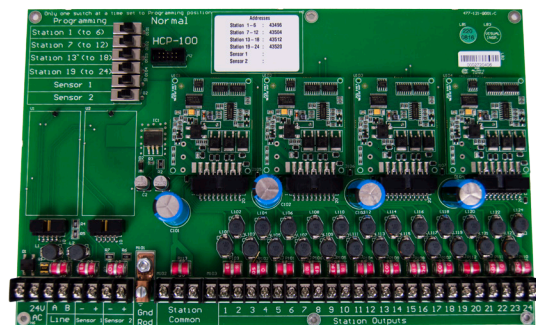
Tucor, Inc.
330 Perry Highway
Harmony, PA 16037

TEL: 800-272-7472
FAX: 724-935-8233

tucormail@tucor.com
www.tucor.com



SLD-12



SLD-24

Super Decoder

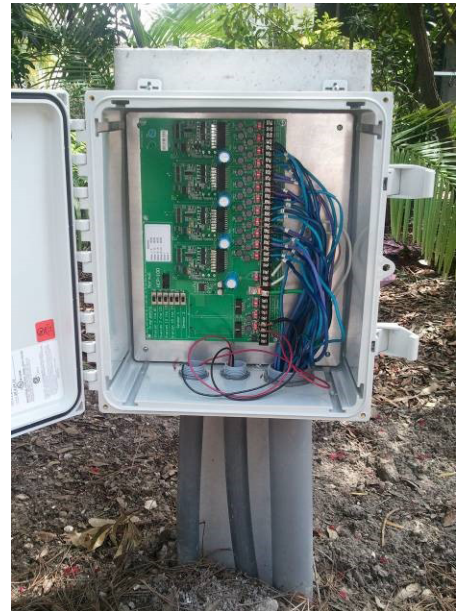


Specifications:

- Flowmaster controllers only
- 12 or 24 valves per board.
- Output to solenoid up to 3000' (14 AWG).
- Powered from 2-wire; add optional 24 VAC transformer for additional power output.
- Order pre-installed in polycarbonate cabinet (CAB-POLY), or as a bare board.
- Output protection for short circuit and lightning.
- Output current up to 1 amp; up to 3 amps per Common wire.
- Preprogrammed; decoder addresses changeable (using HCP-100, optional).
- 2-wire idle load = 6 / 10 ma.
- Common wire is not to be grounded, only the board. Grounding resistance per board required at 50Ω or less.

Ordering Configurations:

- In cabinet:
 - 12 valve output: SLD-12
 - 24 valve output: SLD-24
- Board only:
 - 12 valve output: SLD-12-B
 - 24 valve output: SLD-24-B



SLD-24 Installed

How to Order:

SUPER DECODER	
Part Number	Product Description
SLD-12-B	12 Output Super Decoder terminal, board only
SLD-24-B	24 Output Super Decoder terminal, board only

Contact Tucor:
Tel: 800-272-7472
tucormail@tucor.com

More information:
www.tucor.com

